



## Knightronix™ Knightlighter Gaslight Igniter

24VAC Igniter with Mantle Burner  
KNA1-24A-DF-S-M2

### QuickStart Installation and Operating Instructions



#### ONE YEAR LIMITED WARRANTY ON GASLIGHT IGNITER

Knightronix, Inc. will repair or replace, at its discretion, any Knightlighter automatic igniter which, in normal use, has proven to be defective in workmanship or material, provided that the customer returns the product prepaid to Knightronix with proof of purchase, within one year of shipment. Knightronix shall have reasonable opportunity to verify the alleged defect by inspection. Knightronix shall not be responsible for any asserted defect, which has resulted from improper installation, hook-up, misuse, abuse, or alteration. Knightronix shall not be responsible for cost of removal/installation or for damage resulting there from. Under no circumstances shall Knightronix be liable for incidental or consequential damage or cost resulting from any defective products. This warranty is the sole warranty and sets forth the customer's exclusive remedy, with respect to defective products. All other warranties, expressed or implied, whether of merchantability, fitness for purpose or otherwise, are disclaimed by Knightronix. Knightronix is not responsible for any injury or mishap related to misuse, abuse or lack of judgment in installing or operating of the igniter/burner within a gaslight or the integrated gaslight installation.

A Return Authorization Number is required. Upon issue of the number, the defective product may be returned prepaid by the customer for repair or replacement at Knightronix discretion. Knightronix is not responsible for removal or reinstallation of the warranted products.

Knightronix will provide phone or e-mail support for customer or on-site technical personnel. For questions regarding the igniter/burner operation, maintenance, or returns call 651 636-1008 or e-mail [ignitersupport@knightronix.com](mailto:ignitersupport@knightronix.com). More support documents are available on our web store site: [http://www.vulcanlighting.com/catalog/igniter\\_install\\_help\\_files.php](http://www.vulcanlighting.com/catalog/igniter_install_help_files.php)

Knightronix, Inc.  
2212 Silver Lake Rd. New Brighton, MN 55112 USA.  
Phone (651) 636-1008 Fax (651) 636-0211  
Web: <http://www.knightronix.com> Email: [info@knightronix.com](mailto:info@knightronix.com)



CAUTION!

## CAUTION IMPORTANT NOTICE

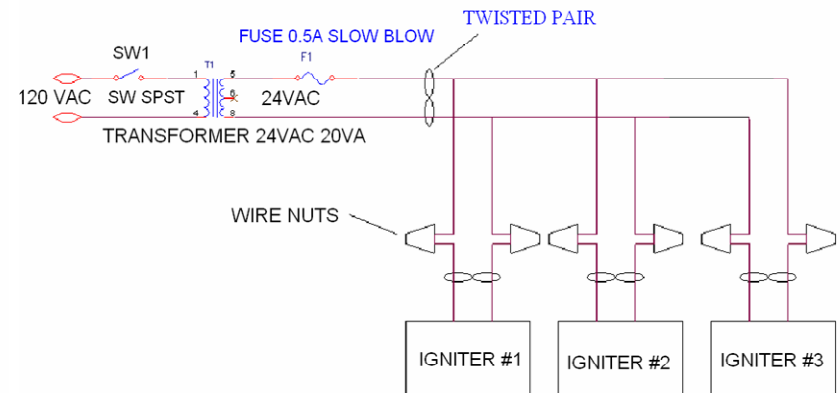
- CONNECT IGNITER POWER TO 24 VAC POWER ONLY; NEVER CONNECT TO 120 VAC.
- DO NOT SHORT 24 VAC IGNITER INPUT POWER LEADS TO GAS LIGHT CHASSIS.
- KEEP PHOTO-SENSOR LEADS WELL SEPARATED (>.75 INCH) FROM THE HIGH VOLTAGE SPARK LEAD.

ALL WARRANTIES ARE VOID IF THE ABOVE INSTRUCTIONS ARE VIOLATED.



Hookup Diagram

MODEL: KNA1-24A-S HOOKUP DIAGRAM



**IMPORTANT INFORMATION FOR END USER INSTALLER**



- **USE WITH 24 VAC TRANSFORMER ONLY**
- Connecting directly to 120VAC or hooking up transformer backwards will damage unit and void warranty
- **DO NOT** short 24V wires to chassis or earth ground; the 24 VAC power must be floating from the output of the transformer\*\*
- It is recommended that an inline fuse be installed at the transformer in one of the 24 VAC input lines

\*\*It is highly recommended that an ohmmeter be used to verify isolation between the 24V input wires and the igniter case before powering up igniter unit.

For questions and technical support please call 651-636-1008.

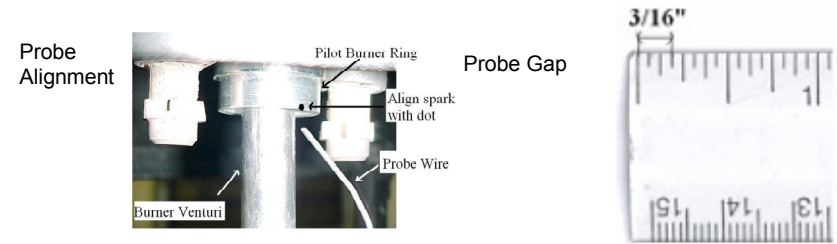


1. Align the igniter and position daylight sensor (photo sensor on yellow and black twisted wires) so the daylight sensor is not pointed toward any bright lights (street lights, Holiday lights, etc.)
2. The daylight sensor must have a clear view of daylight for the lamp to shut off during the day.
3. Be sure that the daylight sensor does not view the lamp flame or reflections off the glass (if possible, place outside the lantern.)
4. The back of the daylight sensor is also sensitive to light; cover it with a sheath or with black electrical tape so the lamp does not shine on the back side of the plastic sensor.
5. Check the alignment of the flame sensor; verify that it is pointed up toward the position of the mantles. If necessary, apply sheath to flame sensor.
6. Check the alignment of the ignition probe (see Probe Alignment Instructions.)
7. Check the gas line for leaks using bubble water solution or a gas detector around the fittings. If any leaks are present, correct them before powering the igniter. Turn on the gas.
8. Replace the glass in the gaslight.
9. Proceed to Operational Checkout instructions.

**KNIGHTRONIX™ DIRECT WIRE™ HIGH VOLTAGE PROBE ALIGNMENT FOR MANTLE BURNING GASLIGHT**



The DIRECT WIRE™ high voltage probe has been pre-positioned. Before operating, be sure to check probe alignment and adjust as described below.



Final Probe Alignment:

Verify that the high voltage igniter probe wire is connected to the high voltage coil of the igniter board. The probe shall be aligned and positioned so that the spark shall project up from the open wire probe to the bottom edge of the pilot burner ring at the point that is marked with a black dot; the spark should not spark to the burner venturi. The gap shall be about 3/16—1/4 inch. (See photos above.)

For questions and technical support please call 651-636-1008.



**Operational Checkout of the Automatic Gaslight**

1. Cover the flame sensor and the daylight sensor (yellow and black wire) with black electrical tape to simulate darkness.
2. Turn on power to igniter. The green Power LED will light up.
3. Unit will spark once then valve will click open. Sparks will then appear across the spark probe to the pilot burner ring and the gaslight shall light. Remove the tape from the flame sensor for the gaslight to remain lit.
4. Remove the tape from the daylight sensor and the lamp shall go out in about 1 minute. Replace the glass panels.
5. This completes the gaslight checkout. It is ready to operate.